

4 x 2.2 m  
**SLEEPING  
BARREL**

health, beauty, peace of mind

---

SPECIFICATIONS

---

WINDOWS

---

ROOF SHINGLES

---

TRANSPORTATION

---

MAINTENANCE

---





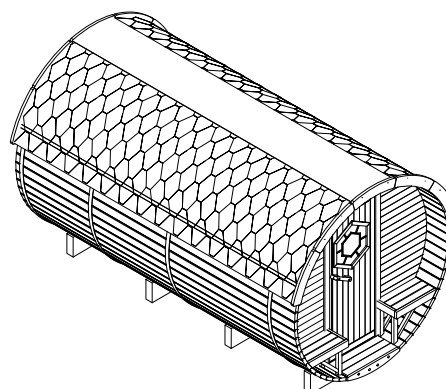
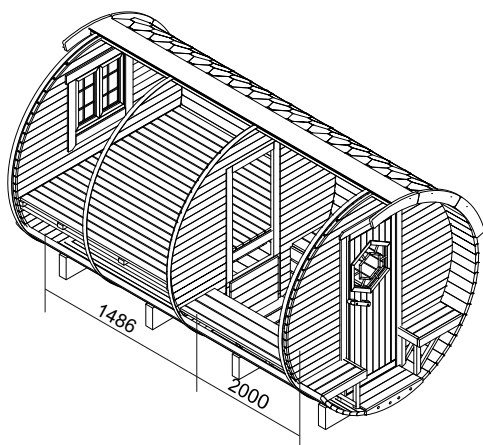
# SPECIFICATIONS OF PRODUCT



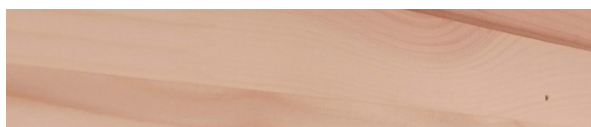
## HERE'S WHAT YOU GET

- Wall and floor panels from spruce;
- Roof covered with bitumen shingles of your selected color;
- Stainless steel tightening bands;
- One opening window in the back wall;
- Doors with a lock and a window;
- Two rooms inside: a sleeping room and a sitting room;
- Sleeping room with a sleeping space: 2 x 2 m.
- Available to make sleeping space at sitting room;
- Sitting room with two benches and a sliding table;
- Small benches at the entrance.

Shape	Round
External dimension	4000 x ø2200 mm
Number of windows	1
Number of opening windows	1
Weight, kg	1000 kg
Group of people	2-4
Size of terrace, mm	300 mm
Size of windows, mm	715 x 675 mm
Size of doors, mm	690 x 1800 mm
Wall thickness	38 mm

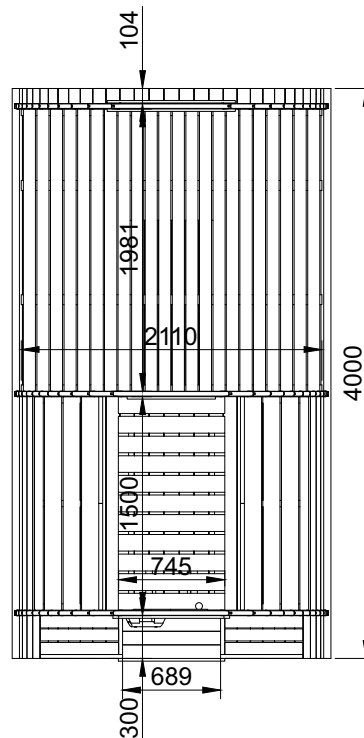
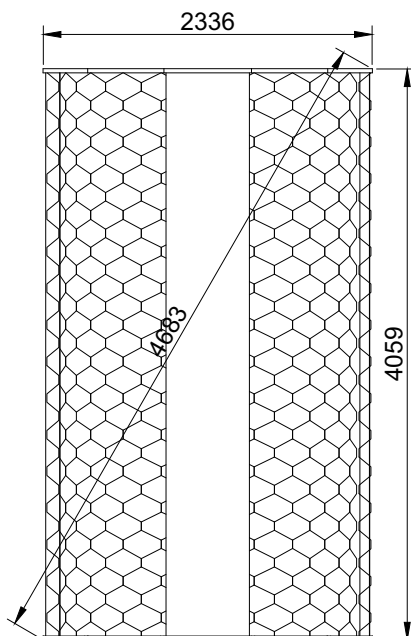
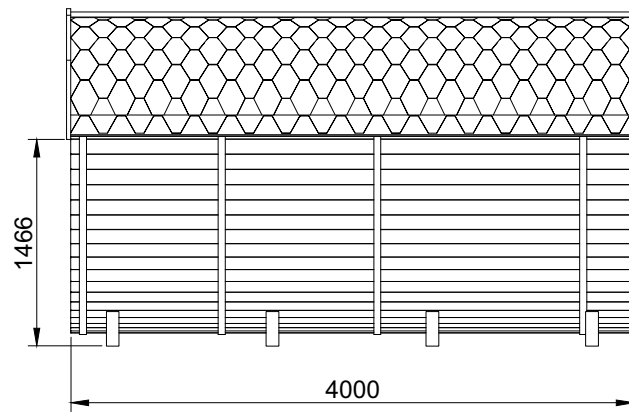
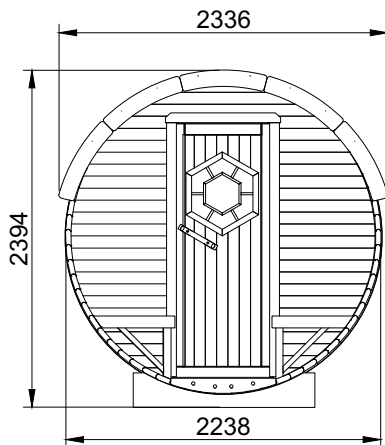


## TYPE OF WOOD



The spruce is of Nordic species. It is light colored, nearly white. Thin and regular texture. Suitable for painting and flexible. Spruce tubs are outstanding for being waterproof and durable.

# SPECIFICATIONS OF PRODUCT



# SPECIFICATIONS OF PRODUCT

## WINDOW AND DOOR

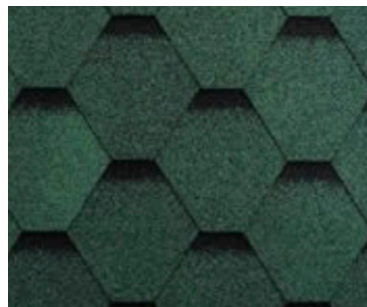
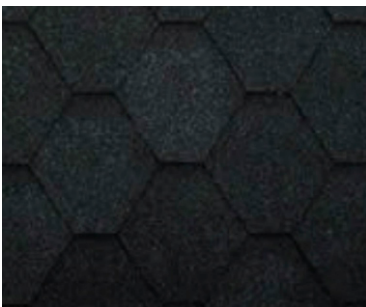
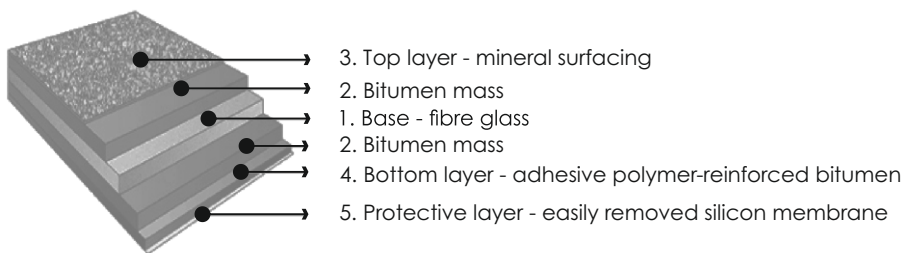
Lockable wooden door (6900x1800 mm) with large rectangular window. 1 opening window: in the back wall. Window size: 715 x 675 mm. Glass units ensures: lower heat transfer to the

outside, as much as possible of light transmission, hermetic characteristics and long usage time.

## ROOF SHINGLES

6 layer bitumen tiles consists of durable and highly resistant fiber glass base coated with polymer-reinforced bitumen mix made of high quality bitumen and aggregate. The top layer of tiles is surfaced with mineral granules that lend color to the tiles and ensure high UV-protection and other weather conditions resistance qualities. The granules are painted in high temperature using thermal method pigment being burned-in into the surface of granules what guarantees long durability of the

color. The bottom of tiles is coated with adhesive polymer-reinforced bitumen layer protected with easily removed silicon membrane. As a result of sun heat exposure the overlapped tiles stick to each other thus forming a double hydro-insulating layer, which guarantees excellent leak resistance of the roof. Bitumen tiles can be used both for new construction and roof repair work. You may choose black, green or red color bitumen tiles. The warranty term for tiles is 20 years!



Roof bitumen shingles' color: black, green, red.

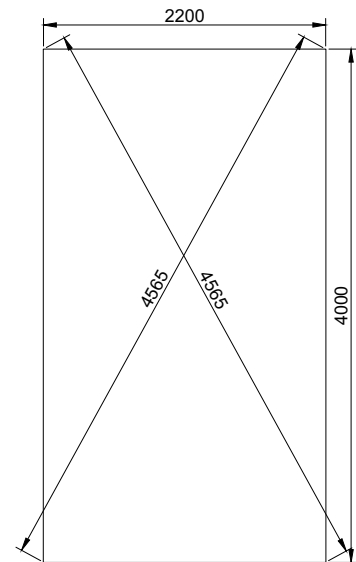
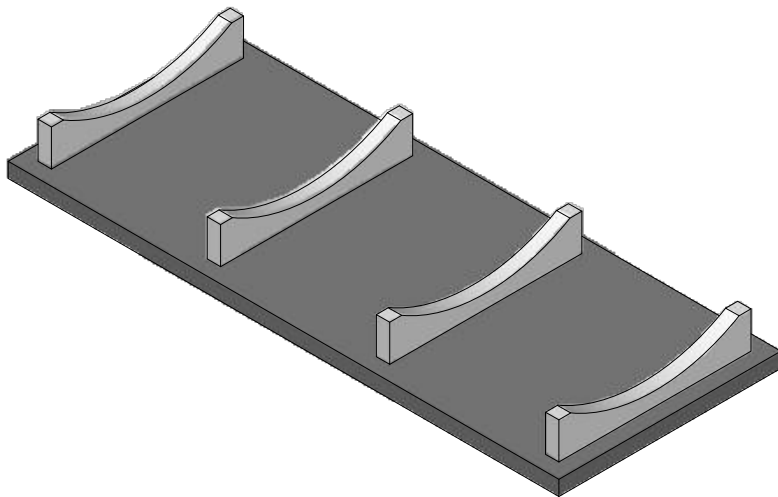
# SPECIFICATIONS OF PRODUCT

## FOUNDATION

It is very important to have a proper foundation for your barrel. Therefore we recommend making the foundation according to the sketches here.

First of all, foundation must be prepared according to the landscape and ground

conditions. Consult a qualified builder or an engineer to prepare a proper foundation, which fits your location. Make sure to complete the site preparation and the foundation before unpacking and assembling the sleeping barrel.



## TRANSPORTATION



Assembled:  
4000 x 2350 x 2500  
Not assembled:  
4000 x 1200 x 2500

The sleeping barrel is delivered to a customer fully assembled or not-assembled, but fully complete, with detailed assembly instructions and drawings, and packed on a pallet (KIT).

## MAINTENANCE

You should not forget that wood is a natural material, it change move depending on weather conditions. Large and small cracks, color tone differences and changes, as well as a changing structure of wood are not errors, but a result of wood growing and a feature of wood as a natural material.

Natural wood (not impregnated) becomes grayish after having been left untouched for a while, and can be turn blue and become moldy. You should immediately process them with wood impregnations to protect the wooden details of our produced products. We definitely recommend that you process the

door and windows with a wood impregnation agent, and do it namely both inside and outside, because the doors and windows can become twisted. In general, we recommend for the conclusive finishing a weather protection paint that will protect wood from moisture and UV radiation after the house is assembled. Consult a specialist regarding paints suitable for unprocessed softwood and follow the paint manufacturer's instructions.

Your garden house life time will be much longer after having properly painted. We recommend that you inspect the house thoroughly once every six month.



*Sleeping barrel 4 x ø2.2 m interior details.*

QUALITY | FLEXIBILITY | SHORT TERMS

QUALITY | FLEXIBILITY | SHORT TERMS



Misko 25, LT-85302 Venta, Lithuania  
Tel.: +370 425 40030  
Fax: +370 425 40031  
E-mail: [info@vikingindustrier.com](mailto:info@vikingindustrier.com)  
[www.vikingindustrier.com](http://www.vikingindustrier.com)