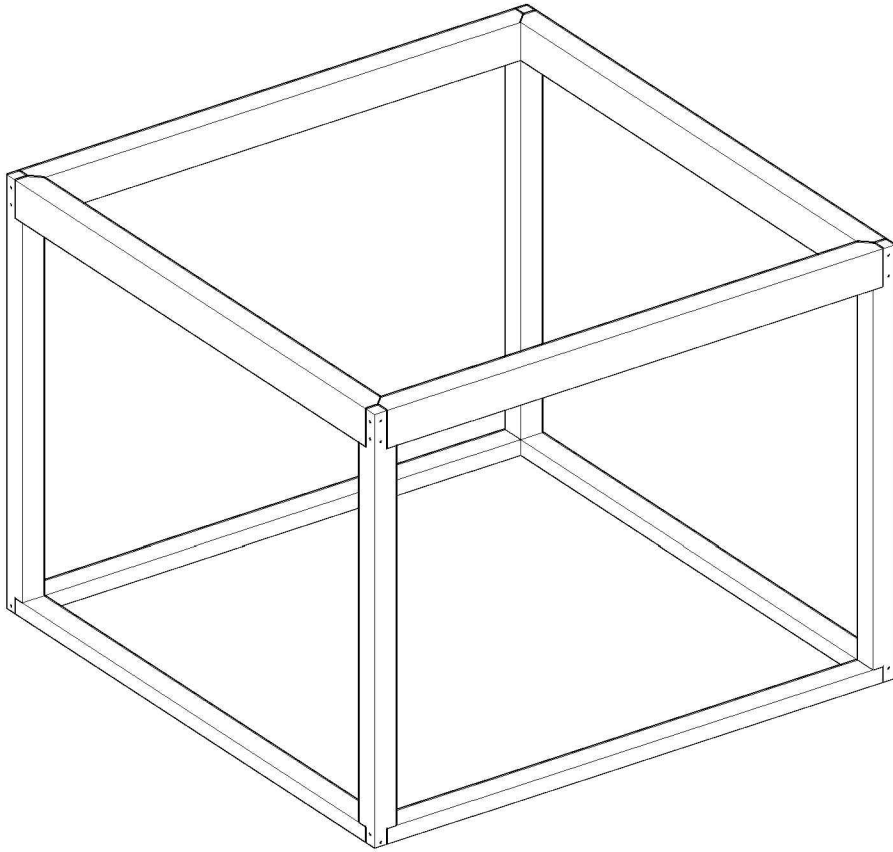



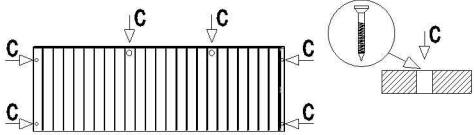
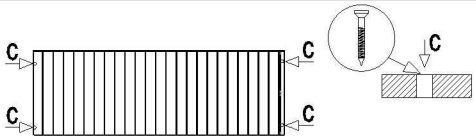
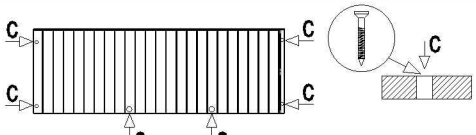














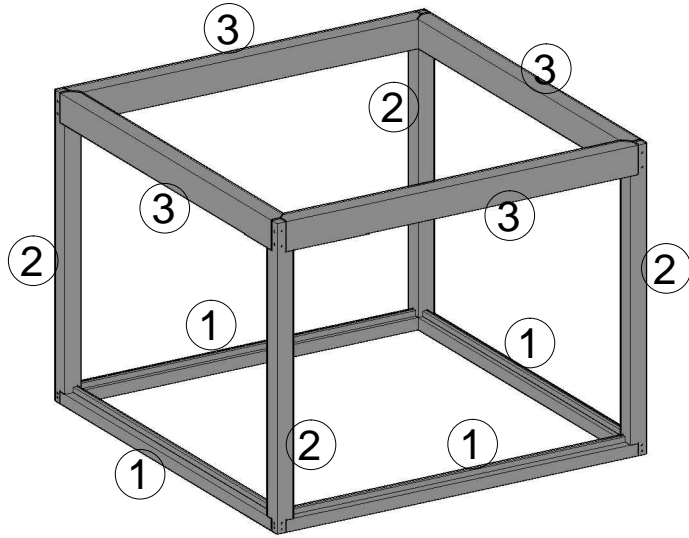
Garden cube



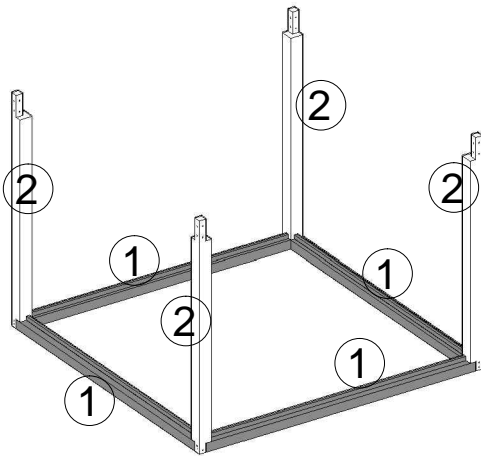
1. GARDEN CUBE

No.	$\begin{matrix} x \\ \swarrow \\ z \\ \searrow \\ y \end{matrix}$ Detail	
1		
2		
3		
4a		
4		
4b		
5		
6		
7		
F7		
8		outside
A9		
A9.1		
A9.2		
B10		
B12		
C11		
C13		

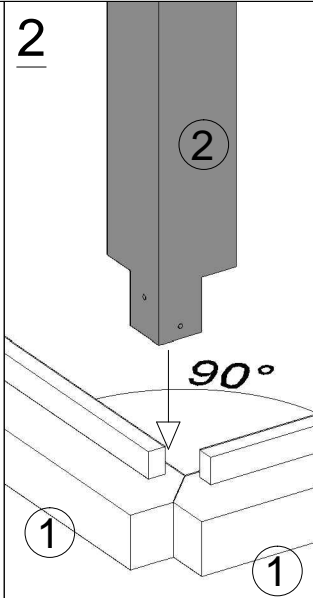
1. Garden cube



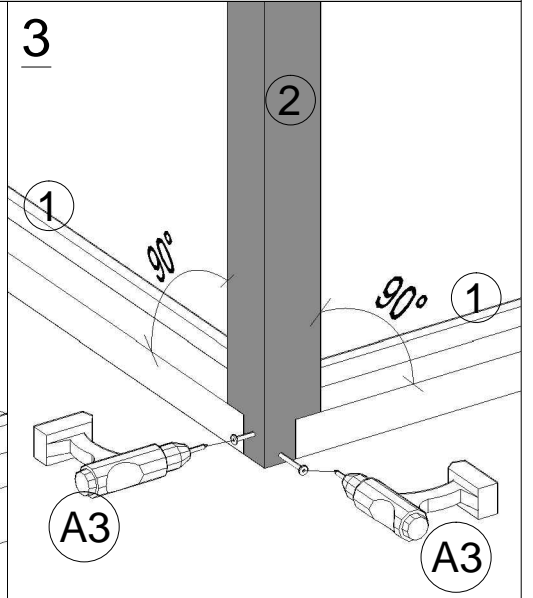
1



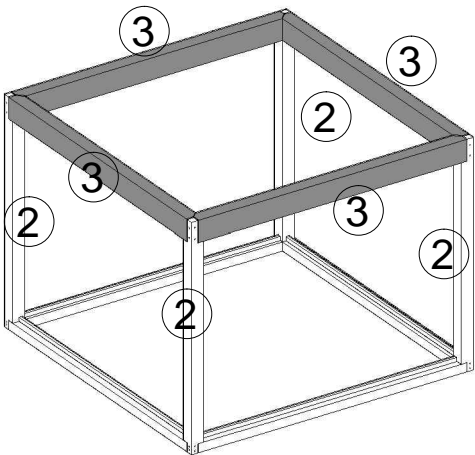
2



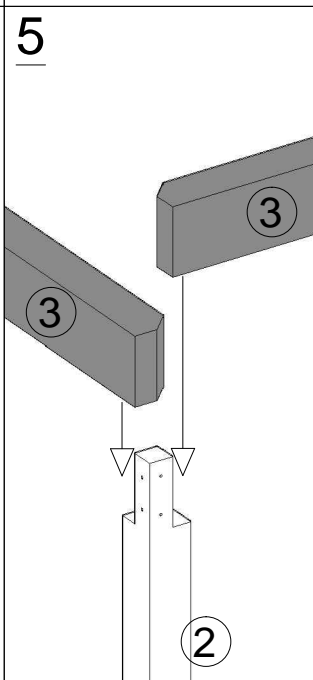
3



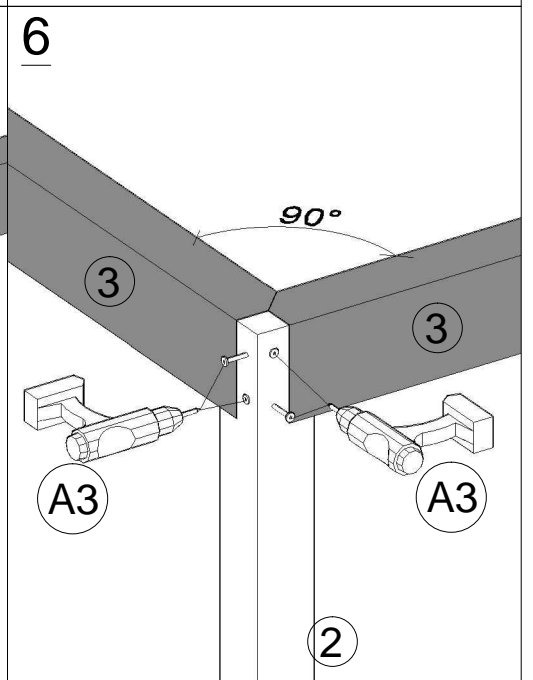
4



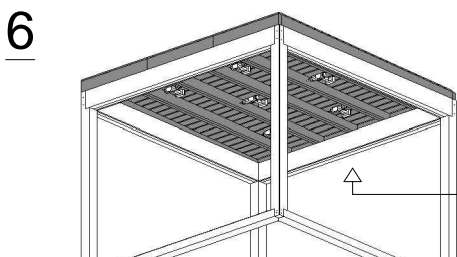
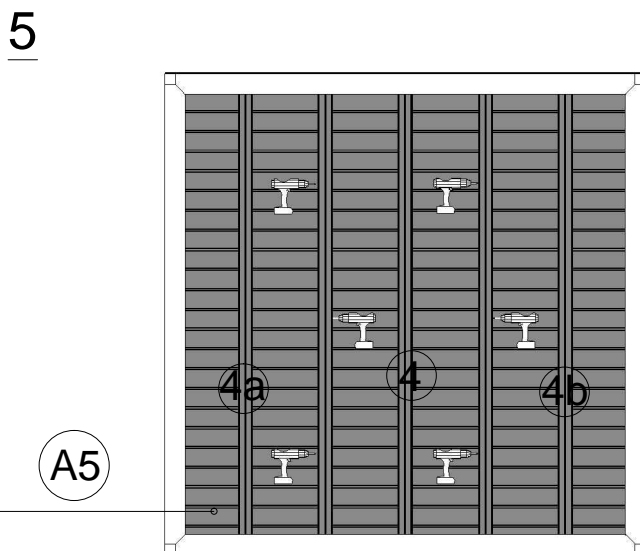
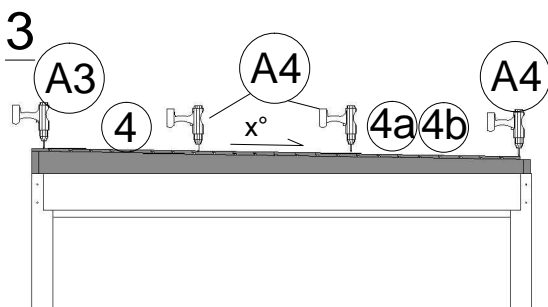
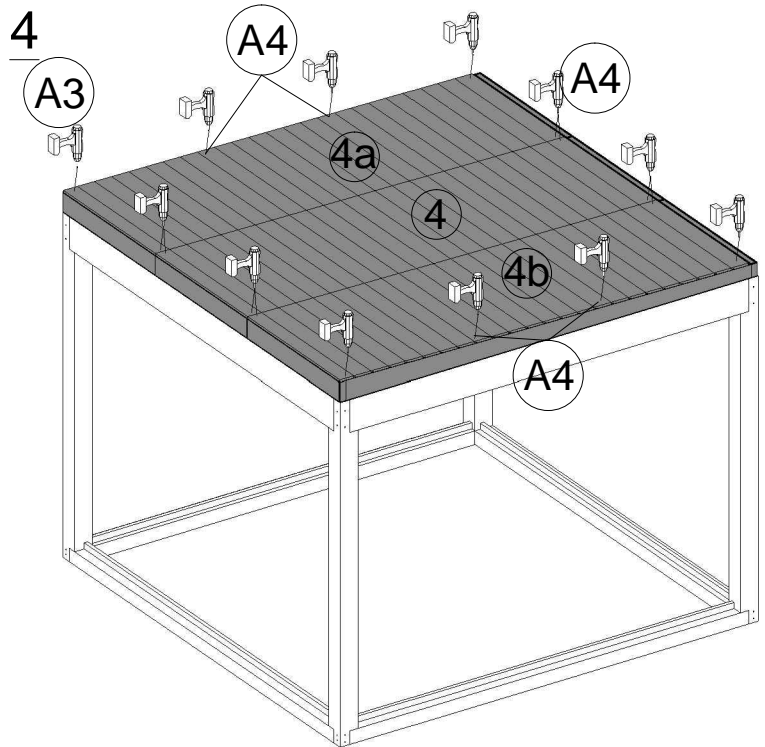
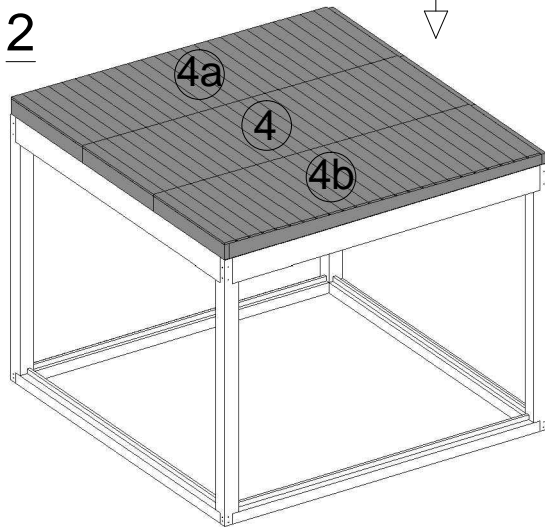
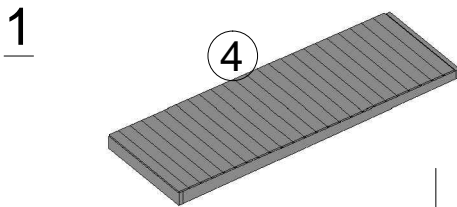
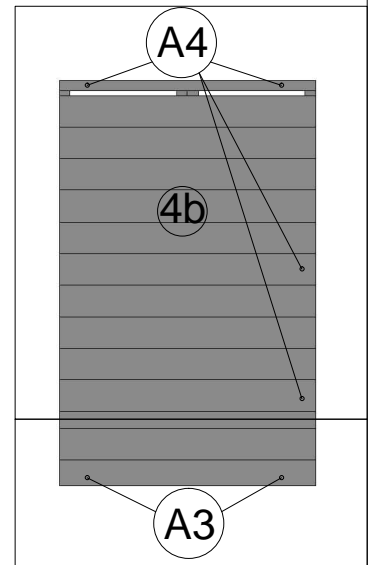
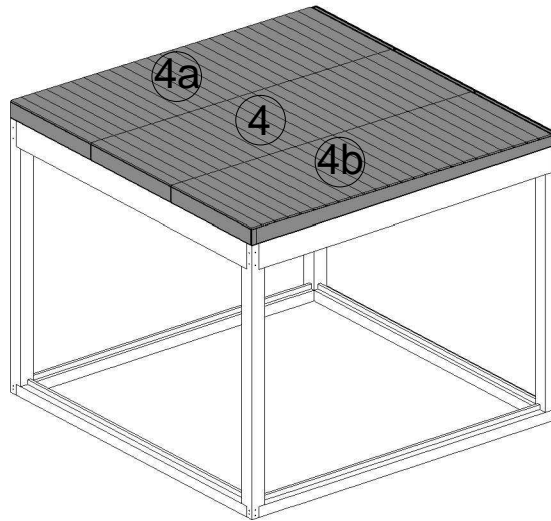
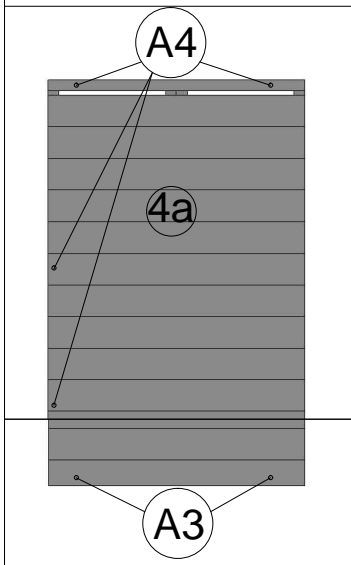
5



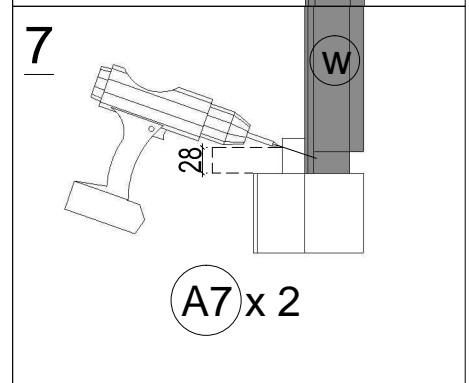
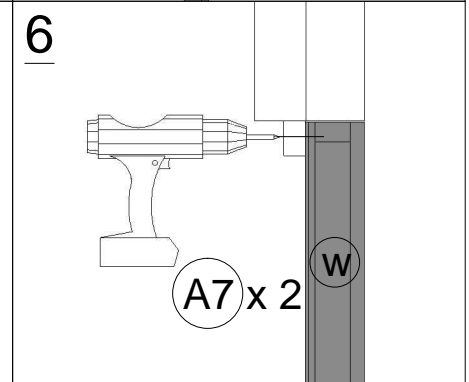
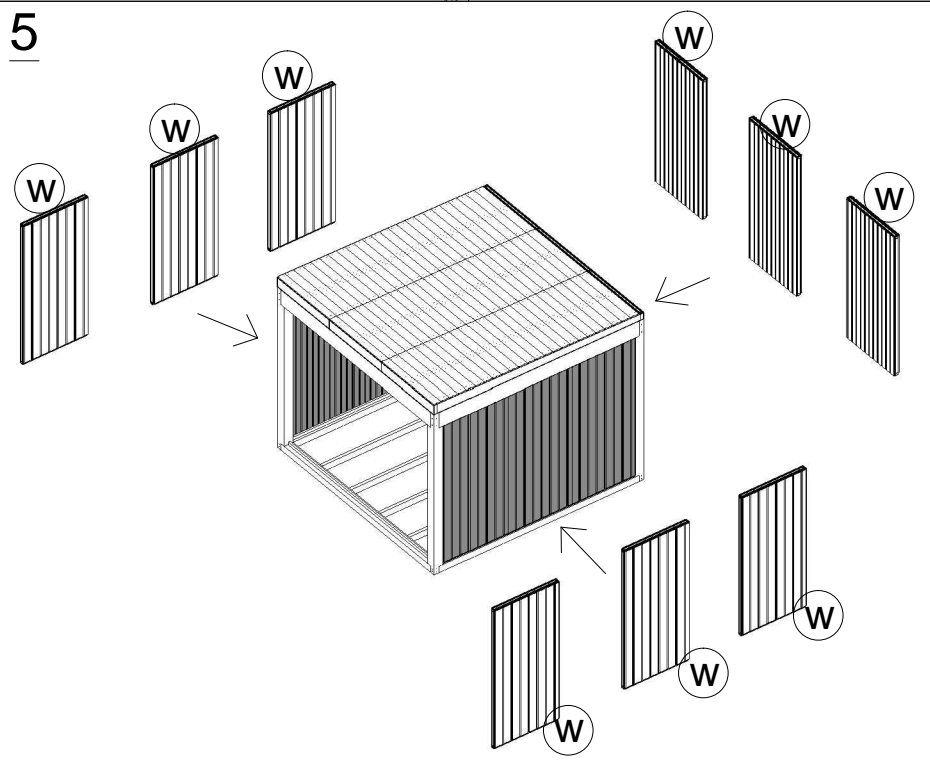
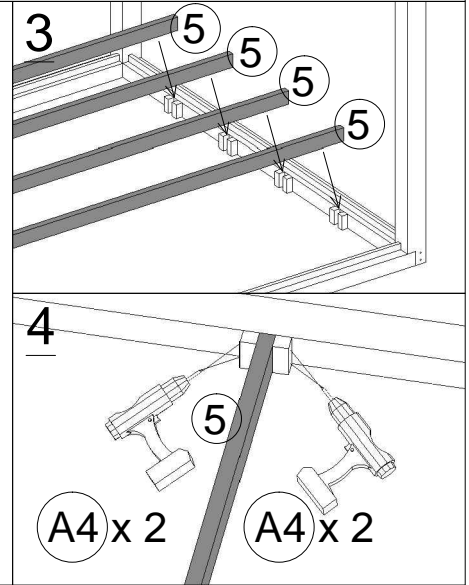
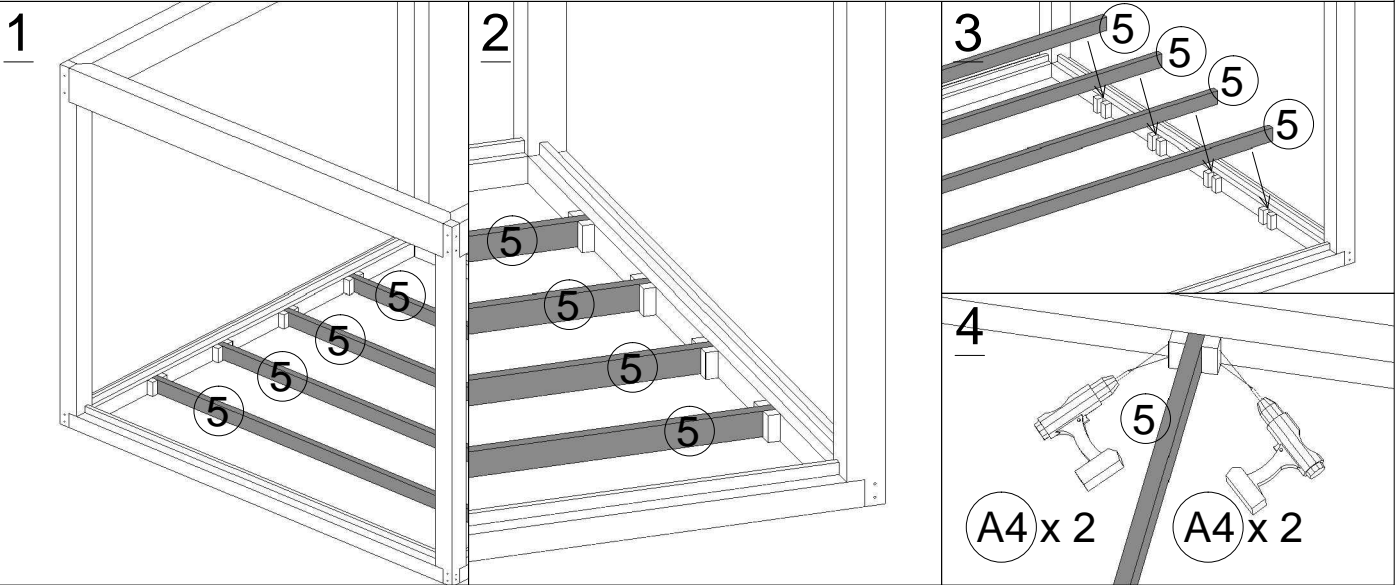
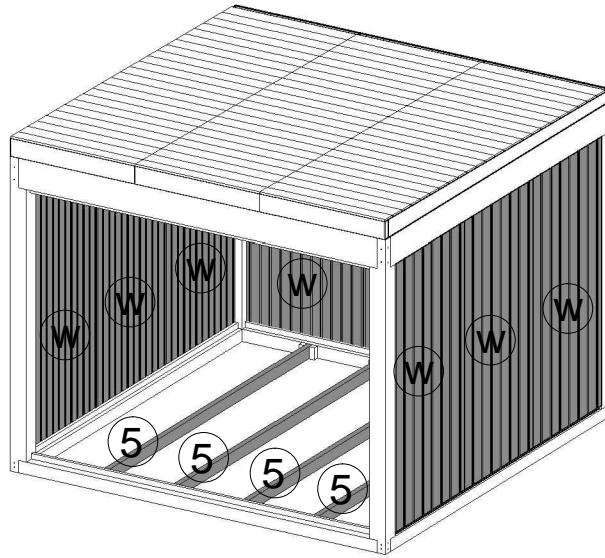
6



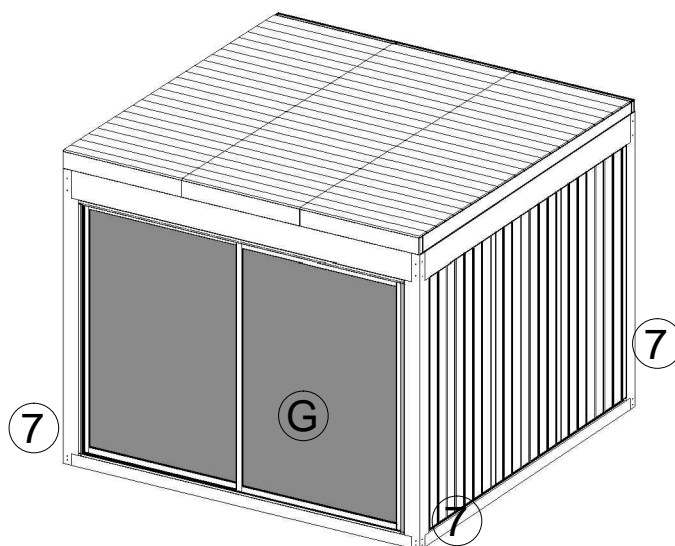
2. Garden cube



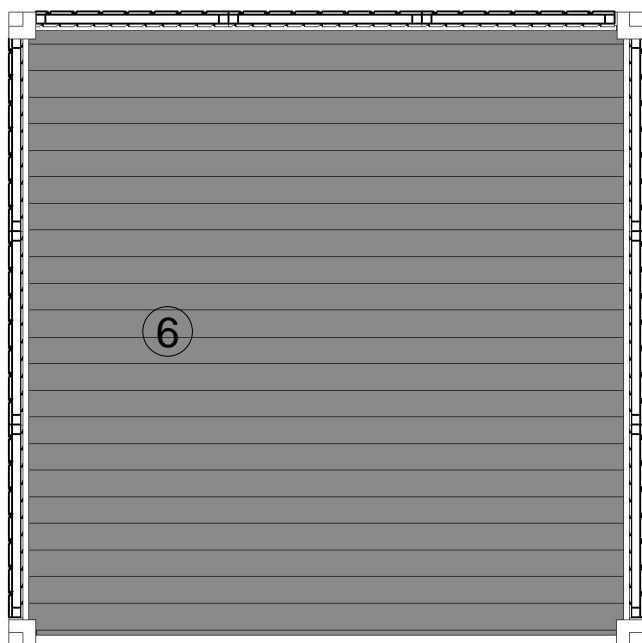
3. Garden cube



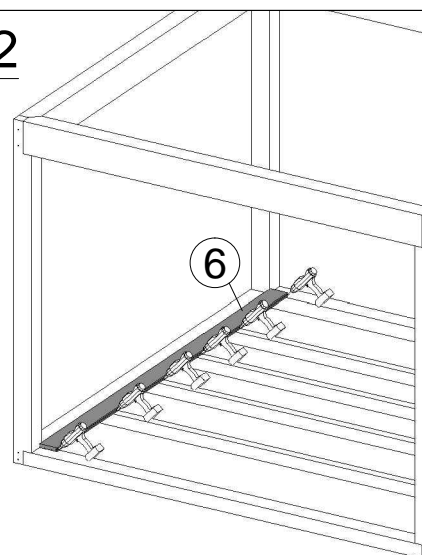
4. Garden cube



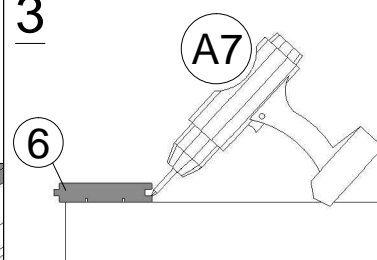
1



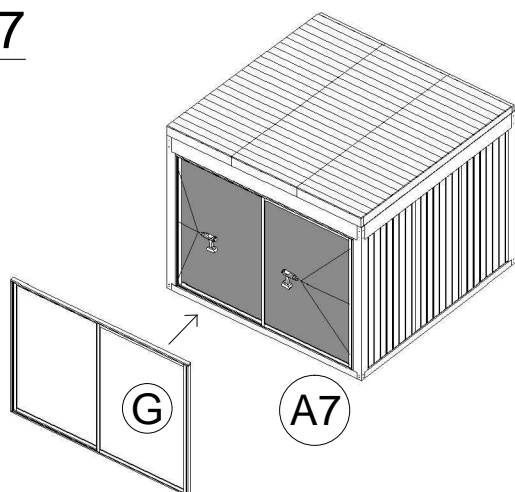
2



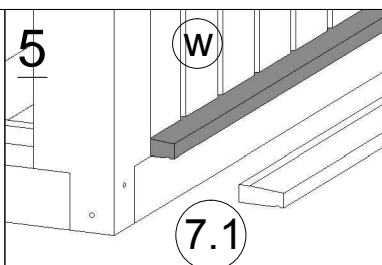
3



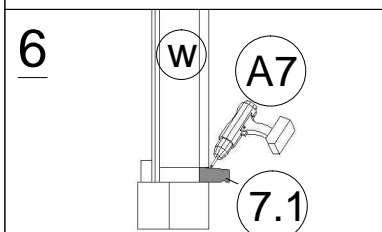
7



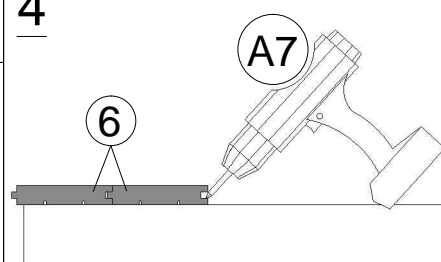
5



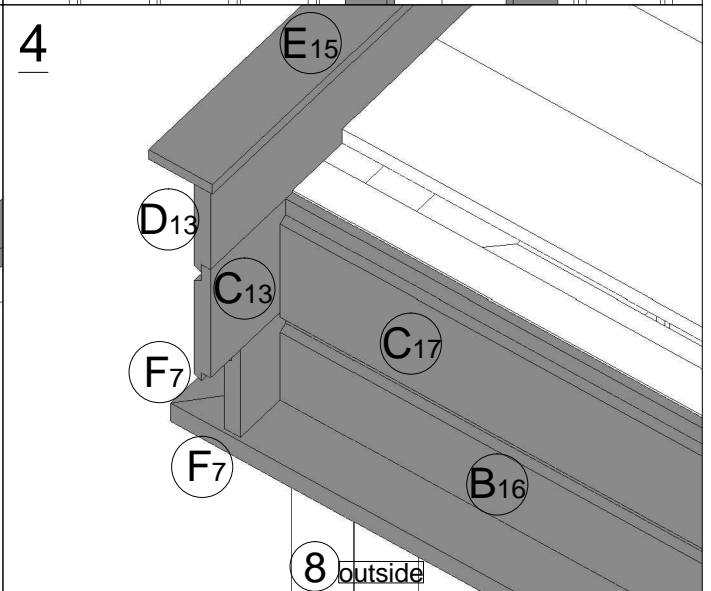
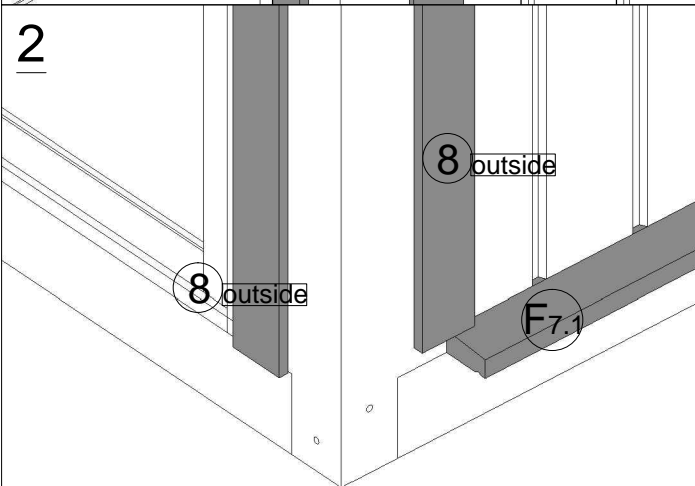
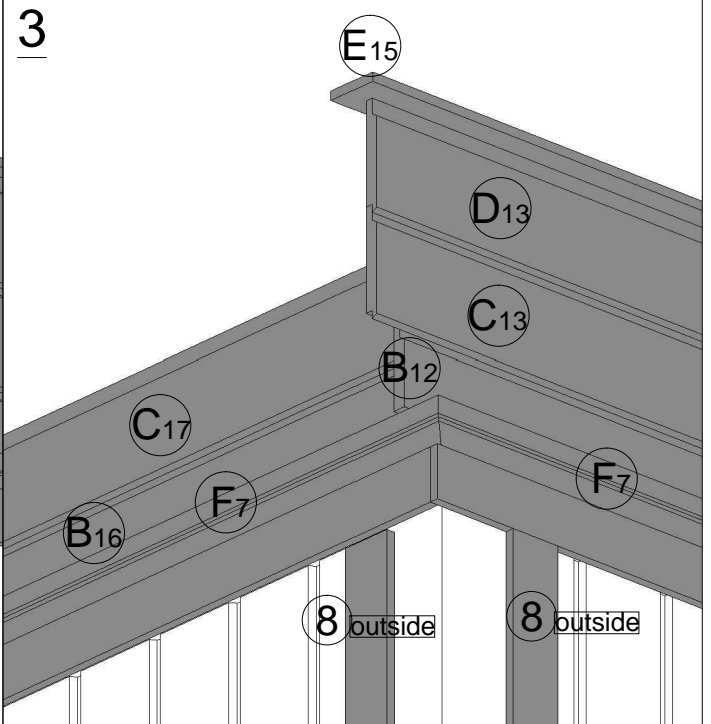
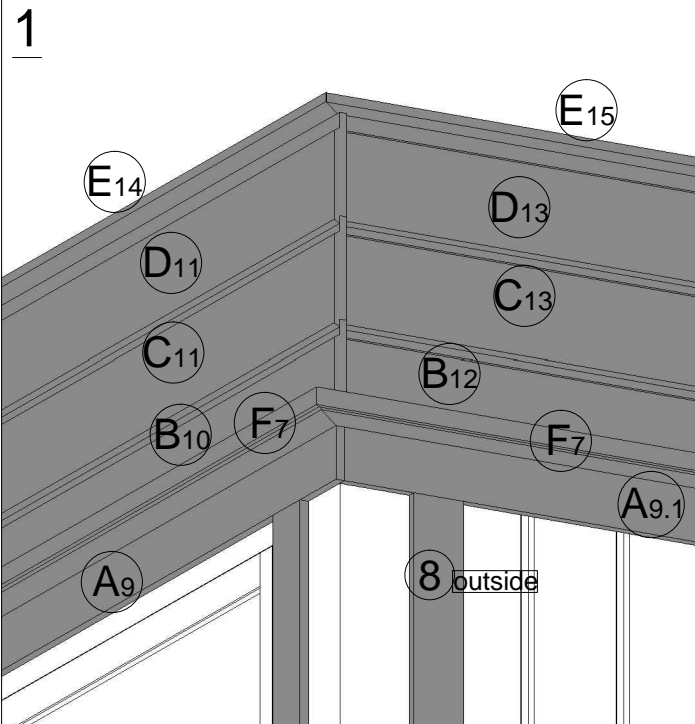
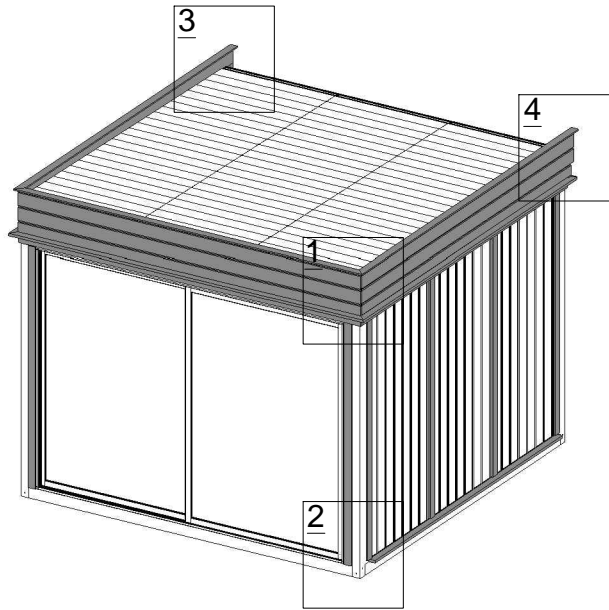
6



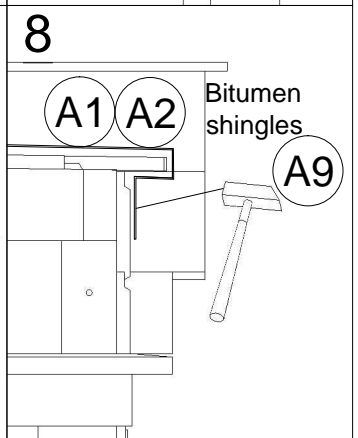
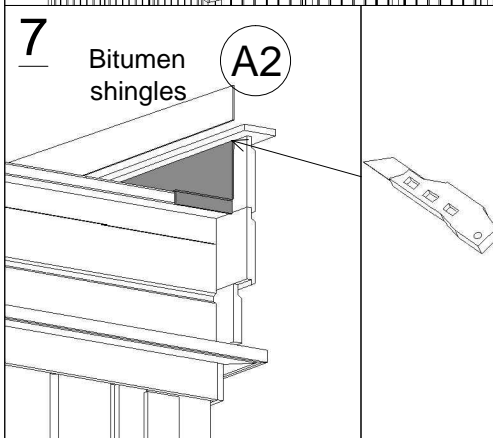
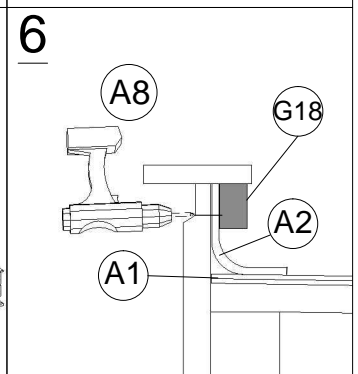
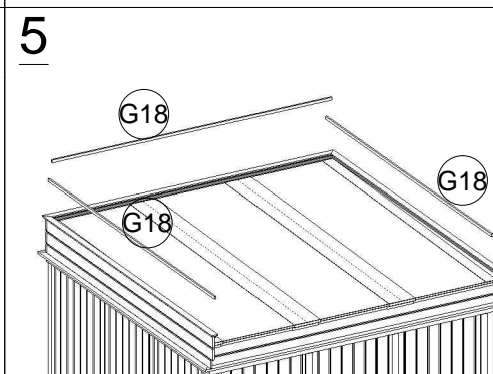
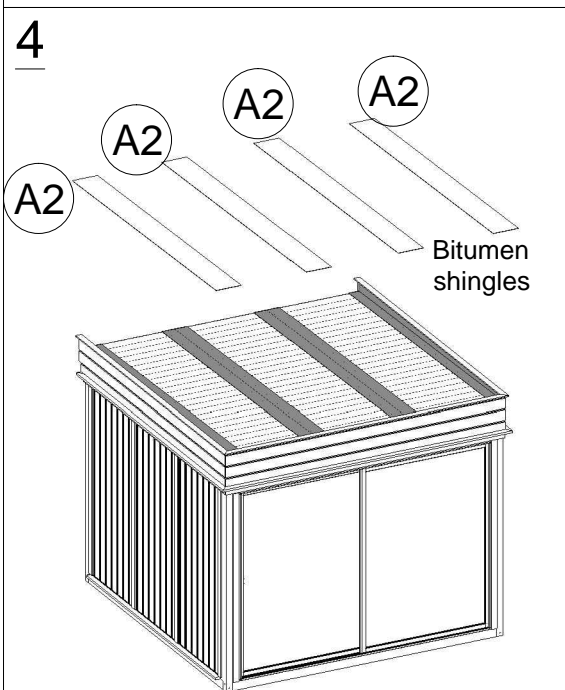
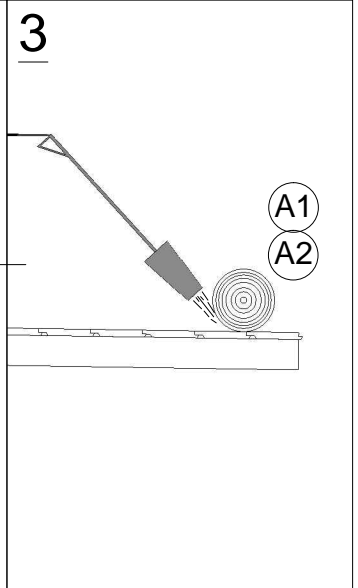
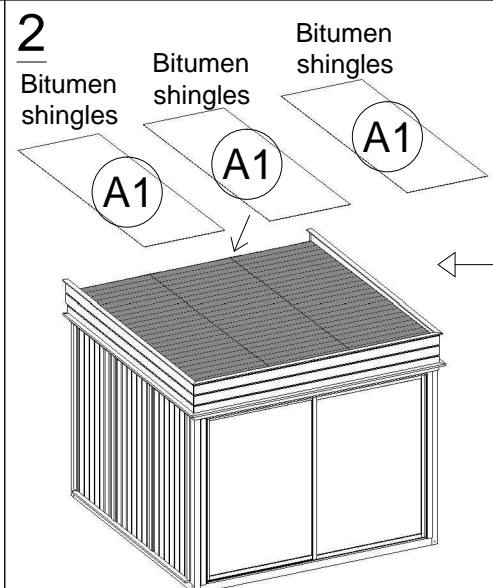
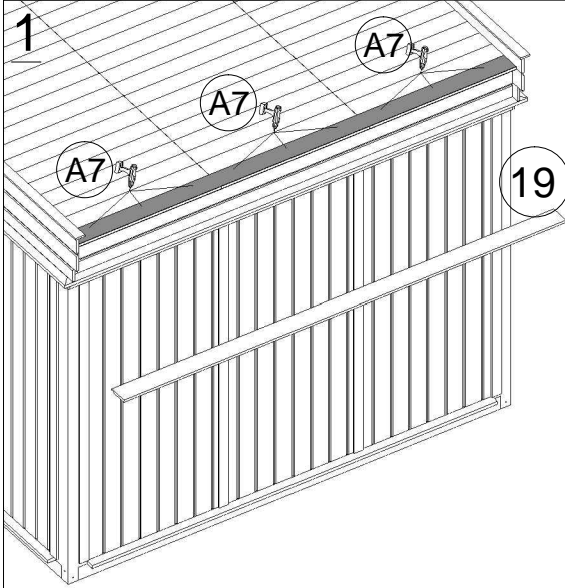
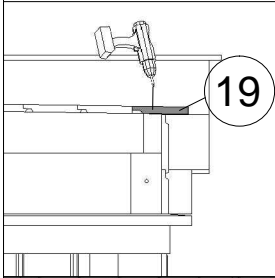
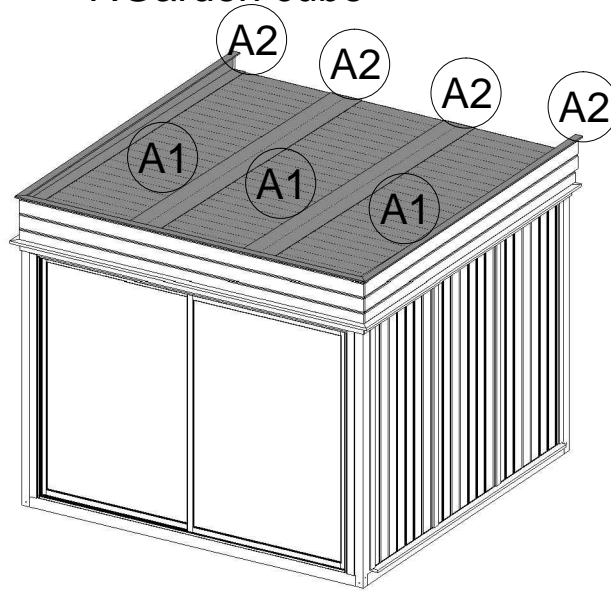
4



6. Garden cube



7. Garden cube



8. Garden cube

