



Adjustable white ventilation valves type XD-W

White finished aluminium adjustable wall or ceiling mounted ventilation valve.

Application

- For air supply or exhaust in ventilation systems
- XD1-W designed for extraction purposes in ventilation system C
- XD2-W and XD3-W designed for natural extraction purposes (RAO) in system A or natural air supply (RTO) purposes in system C

Material

- Aluminium

Colour

- White, RAL 9010

Composition

- Wall cover plate and front plate in RAL-finished aluminium
- Base and movable parts made of light grey plastic components
- Delivered with mounting screws

Mounting

- Surface mounted by invisible screws
- Mounted in front of duct opening of Ø80 upto Ø140 for XD1-W
- Mounted in front of duct opening of Ø100 upto Ø160 for XD2-W
- Mounted in front of duct opening of Ø140 upto Ø200 for XD3-W

Accessories

- Screws (included)

Text for tender

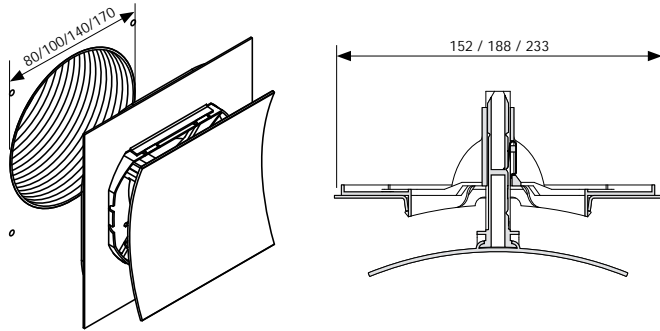
- The rectangular grilles for small air flows shall be made of aluminium and finished in white RAL-color. The air volume of the grille will be adjustable by moving the front plate.
- **ATC Type XD-W**

Order example
■ XD1-W

Explanation

XD = Type grill

1 = Size 1

W = White color

Quick selection

XD1-W	Qv [m ³ /h]			
	max. 75			
	2Pa		10Pa	
	Position I	Position II	Position I	Position II
XD2-W	28.3	50.5	63.3	112.9
XD3-W	63.0	86.5	140.9	193.4