



Bends 90° with rubber type BDG90

Galvanized steel pressed and seam welded bends 90° with rubber sealing.
 Radius $R = 1 \times D$

Other available products

- Pressed bends 90° without rubber sealing **type BD90**

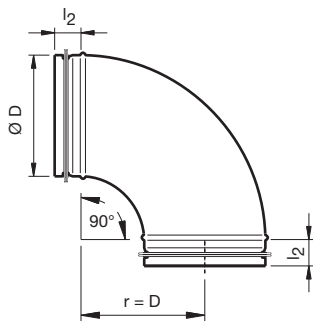
Order example

- **BDG90, 200**

Explanation :

BDG90 = Bend type

200 = Diameter of bend



Dimensions

BDG 90	ØD	r	l2
80	80	80	40
100	100	100	40
125	125	125	40
150	150	150	40
160	160	160	40
180	180	180	40
200	200	200	40
250	250	250	40
315	315	315	60



Dimensions

For dimensions please check our website www.airtradecentre.com