

- Continuously variable
- IP44/IP54



Speed controllers type ETY

Electronic manual speed controller

Application

- Manual speed control for speed controllable motors
- Suitable for built-in as well as for surface mounting

Composition

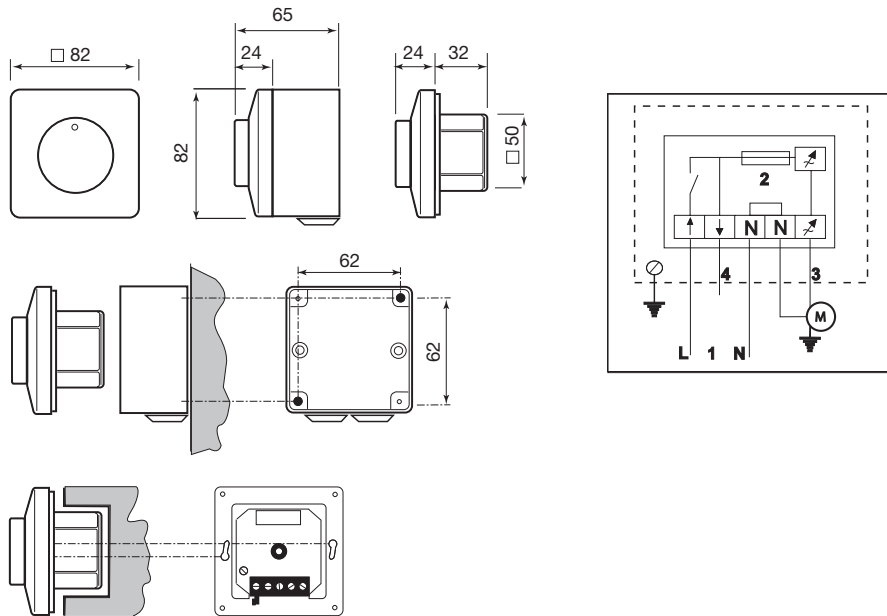
- Plastic enclosure, ABS, RAL 9001
- Supply: 230Vac 50Hz
- Infinitely variable control
- Fuse (A) (5*20 mm), spare fuse included
- Control: **ETY** from minimum to maximum speed
- Minimum speed setting by trimmer
- IP: 44 (built-in mounting) /54 (surface mounting)
- Max ambient temperature: 35°C
- CE-Certificate: The EMC directives: 89/336/CEE with modification 92/31/CEE
- The low voltage directive: 73/23/CEE
- Several motors can be connected as long as the current limit is not exceeded
- All models have an extra (not regulated) 230V output
- Can generate a magnetic noise at fan low speed

Order example

ETY 1.5

ETY = type

1.5 = max. current



Notes

1. Power supply 230 Vac, 50 Hz
2. 230 Vac not regulated output for connecting lamp, valve, dampers ... or three wire motor connection; branched off after switch (I_{max} : 2A)
- Input: to bypass switch
- N. Neutral
3. Regulated output to motor
4. Fuse holder with spare
5. Minimum speed adjustment trimmer