



SAUNA CUBE 3 X 4 WITH LOUNGE ROOM

PRODUCT DESCRIPTION

FRAME. The frame is made from glue laminated spruce beams. Frame consists of bottom frame (100 x 140 mm), columns (140 x 140 mm), top frame (140 x 240 mm) and withstands 442 kg/m² roof load.

THE WALLS. The 1000 x 2200 mm walls are made of spruce wood of Northern Europe. The light, golden-white spruce are ideal for Cubes constructions designs. **Standard full panel wall.** Wall frame 75 x 45 mm, panel covered with inside 96 x 12 mm and outside 145 x 18 mm horizontal spruce cladding boards.

Insulated full panel wall. Wall frame 75 x 45 mm, panel covered with inside 96 x 12 mm and outside 145 x 18 mm horizontal spruce cladding boards. **Insulated full panel wall with small windows (square or rectangle).** Wall frame 75 x 45 mm, panel covered with inside 96 x 12 mm and outside 145 x 18 mm horizontal spruce cladding boards. Size of windows: 180 x 1200 mm and 200 x 200 mm. **Decorative sunscreen wall.** Wall frame 75 x 45 mm, horizontal sunscreen wall consists of 18 x 95 mm boards. Wooden tempered glass wall. Wall frame 75 x 45 mm with full tempered glass window.

THE ROOF. The roof panels are built with double rafters construction and covered with 18 x 145 mm finishing boards. This construction withstands 442 kg/m². All Garden Cube buildings roof are 2.7 m high and 1.310 (2.29%) slope. We use an hydro-insulating SBS to ensure the highest level of waterproofing. It is produced in two types: surfaced with quartz sand – for the bottom layer of the roofing and surfaced with slate that ensures perfect UV-protection – for the top hydro-insulating protective layer of the roofing for Cube roofs.

THE DOORS. Aluminium 2 rails sliding doors system Alutech. Sliding parts are framed with aluminum frames, manufactured from "cold" single-chamber of aluminium profile with non-insulating gaskets. Sliding of the aluminum frame is made so that the entire structure is stable. Frames wheels designed for attachment to the motion and has aluminum profiles for vertical and horizontal adjustment, provides a particularly easy movement of moving parts. Sealing brush prevents dust from entering the structure and compensates for vibration in the wind. All moving parts are very easy to remove and put it back, so there is no problem with cleaning glass from the outside. In the closed position system has automatically locked and unlocked positions. Handles and locks built into the aluminum profile, so during the opening, the glass always remains clean. This is single-chamber aluminium system. The thickness of tempered glass 4 mm.



SPECIFICATION

People	6 persons
Timber	Spruce
Shape	Rectangle
Room	3
Inside area	12.0 m ²
Sauna area	4.0 m ²
Total height	2780 mm
Wall height	2200 mm
Exterior Cladding	18 mm
Interior Cladding	12 mm
Wall thickness	75 mm
Insulation	50 mm stone wool
External dimension	4286 x 3286 mm
Door size	2000 x 2200 mm
Interior tinted glass door	620 x 1800 mm

STANDARD SET

Garden cube frame from spruce;

Wooden floor;

Roof covered with bitumen weld coating;

4 standard full panel walls;

3 decorative sunscreen walls with tempered glass;

2 wooden tempered glass walls

4 insulated full panel walls;

1 insulated full panel wall with small window (square);

1 insulated full panel wall with small window (rectangle);

Insulated roof panels;

3 Sauna benches from deciduous wood;

Three spaces inside: a sauna room, lounge room and a changing/shower room;

Heat-resistant plates for the heater/stove;

Aluminium 2 rails sliding doors system Alutech;

Inside glass doors;

Changing room doors/partition.

DELIVERY

Assembling time 10 hours

Size of pallets (LxWxH) 4.4 x 1.2 x 2.6 m

Weight 1620 kg

The Sauna Cube 4x3 delivered to a customer **not assembled**, but fully complete, with detailed assembly instructions and drawings, and packed on a pallet (KIT).

HEATER AND CHIMNEY KIT



Electric heater Harvia "Club"
K15G, 15 kw (14 - 24 m3)



Electric heater Harvia
"Club", 13.5 kw (11-20 m3)



Electric heater Harvia
"Elegance" F16.5, 16,5 kw (16-
30 m3)



Electric heater Harvia Globe
GL110, 10.5kw (9-15m3)



Electric heater Harvia Trendi
KIP90, 9 kw (8 -14 m3)



Wood burning heater Harvia
26 Pro, 26.6 kw (10 - 26 m3)



Wood burning heater Harvia
36, 31 kw (14 - 36 m3)



Wood burning heater Harvia
Pro 20, 24 kw (8-20 m3)



Wood burning heater Harvia
SL 20 (outside feeding), 24.1
kw (8-20 m3)

ACCESSORIES



Rainwater Pipes*



Ceiling Lamp for Sauna Cube***



Table And Benches SET



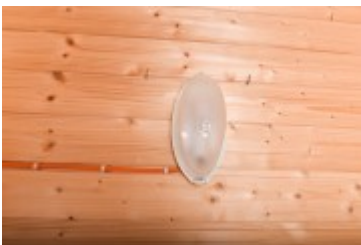
White Cushion Set for Benches and Table



Head Rest



Clothes Hanger



Sauna Light



Sauna Light Cover



Water Tank For Woodburning Heaters



Thermometer - Hydrometer



Heater Safety Fence for Electric Heaters



Heater Safety Fence for Woodburning Heaters



Wooden Bucket



Wooden Ladle

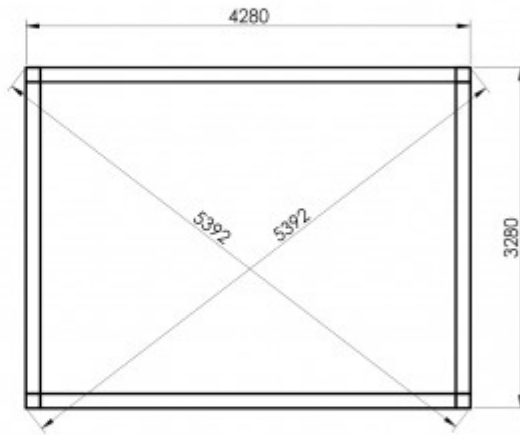
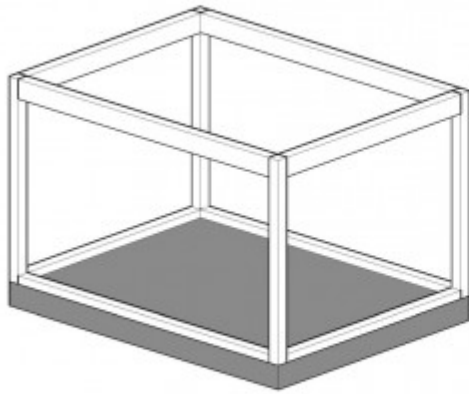


Bucket + Ladle Duo White

* - The rainwater pipe package includes straight gutter and all parts needed for installation. Down pipe package includes 2.5 m down pipe and all parts needed for installation. No need for exact measurements and calculations and easy to transport and install, as all components needed are packaged compactly in a single package, ensuring safe delivery and easy installation.

*** - Available for all Sauna Cube with changing rooms and all Viking Cubes. **These lamps are not available in the sauna room.**

FOUNDATION



It is very important to have a proper foundation for your sauna. Therefore we recommend making the foundation according to the sketches here. First of all, foundation must be prepared according to the landscape and ground conditions. Consult a qualified builder or an engineer to prepare a proper foundation, which fits your location. Make sure to complete the site preparation and the foundation before unpacking and assembling the sauna cube 3 x 4 m.

USAGE AND MAINTENANCE

USING YOUR SAUNA

PREPARING YOUR SAUNA FOR USE.

- If you have wood burning heater, make sure to remove the protective film of the heater chimney before heating.
- Check the Sauna before heating. No flammable objects must be left on or near the heater.
- Check that there is water in the water tank (if you are using it).
- Ensure that the Sauna door is unlocked and easy to open before using it. If necessary, sauna door must be adjusted by the customer.
- Do not mount any additional accessories or shelves above the heater.
- Turn the Sauna heater on.
- The thermometer should be located at head level in the Sauna. It should be further away from the heater, so it does not give a false reading.
- Wait for the Sauna to reach the required temperature (normally 80-90° C).

All users should be aware of the potential dangers and requirements prior to participation in the Sauna!

THINGS TO NOTE WHEN USING THE SAUNA

Enjoy the many health benefits of the relaxing heat of your Sauna. But remember: being inside the hot Sauna for long periods of time raises your body temperature, which may be dangerous, especially for those with a heart condition or other health risks. **Generally, the recommended time inside a Sauna is from 10 to 15 minutes.** After a period of heating, take a **5 minute break** and then repeat. Also:

- Familiarize yourself with the safety instructions and keep away from the heater when it is hot.
- Be very careful when moving in the Sauna, as the benches and floors may be slippery!
- The Sauna should not be used by pregnant women or very young children.
- Remove all jewelry before entering the hot Sauna.

MAINTENANCE

Wood is a natural material and can change through time. Cracks of various sizes, structural or color changes are not the defects – rather, they are features of the wood. Natural wood (not impregnated) becomes grayish after being left untouched for a while. Later it can turn blue and get covered with mold.

- Impregnate and paint the wood to protect the product from outside. We recommend to inspect Sauna every 6 month and evaluate need of re-impregnation, re-painting.
- When not in use, keep a bucket full of water in the Sauna during summer.
- Doors of the Sauna must be adjusted regularly.
- You should keep the sauna ventilation open all the time, to allow it time to dry and air out to avoid mold.
- To remove bench stains, use a mild soapy water and a soft cotton cloth. This can also be used on the heater itself - just make sure it's off and completely cool when you clean it.
- Don't use harsh or abrasive chemicals on benches, as these can bleach and warp the wood, ruining the grain and turning it grey.

With these simple maintenance tips your Sauna will stay inviting, fresh, and enjoyable!



Misko 25, LT-85302 Venta, Lithuania
info@vikingindustrier.com