

ATRAFLAM 800 VISION - 3 Sided

Features

Nominal heat output	kW : 15
Efficiency	% : 79,2
Flue gas temperature	°C : 279,7
Flue gas volume	g/sec : 13,6
CO emissions (13% O ₂)	% : 0,08
Dust (13% O ₂)	mg/Nm ³ : 36,5
OGC (13% O ₂)	mg/Nm ³ : 60,1
NOx (13% O ₂)	mg/Nm ³ : 77,8
Mean CO ₂ content	% : 9,8
Energy efficiency index	: 105
Authorized combustible	: Wood
Recommended draught conditions	Pa±2 : 12
Total weight	kg : 261

Air supply

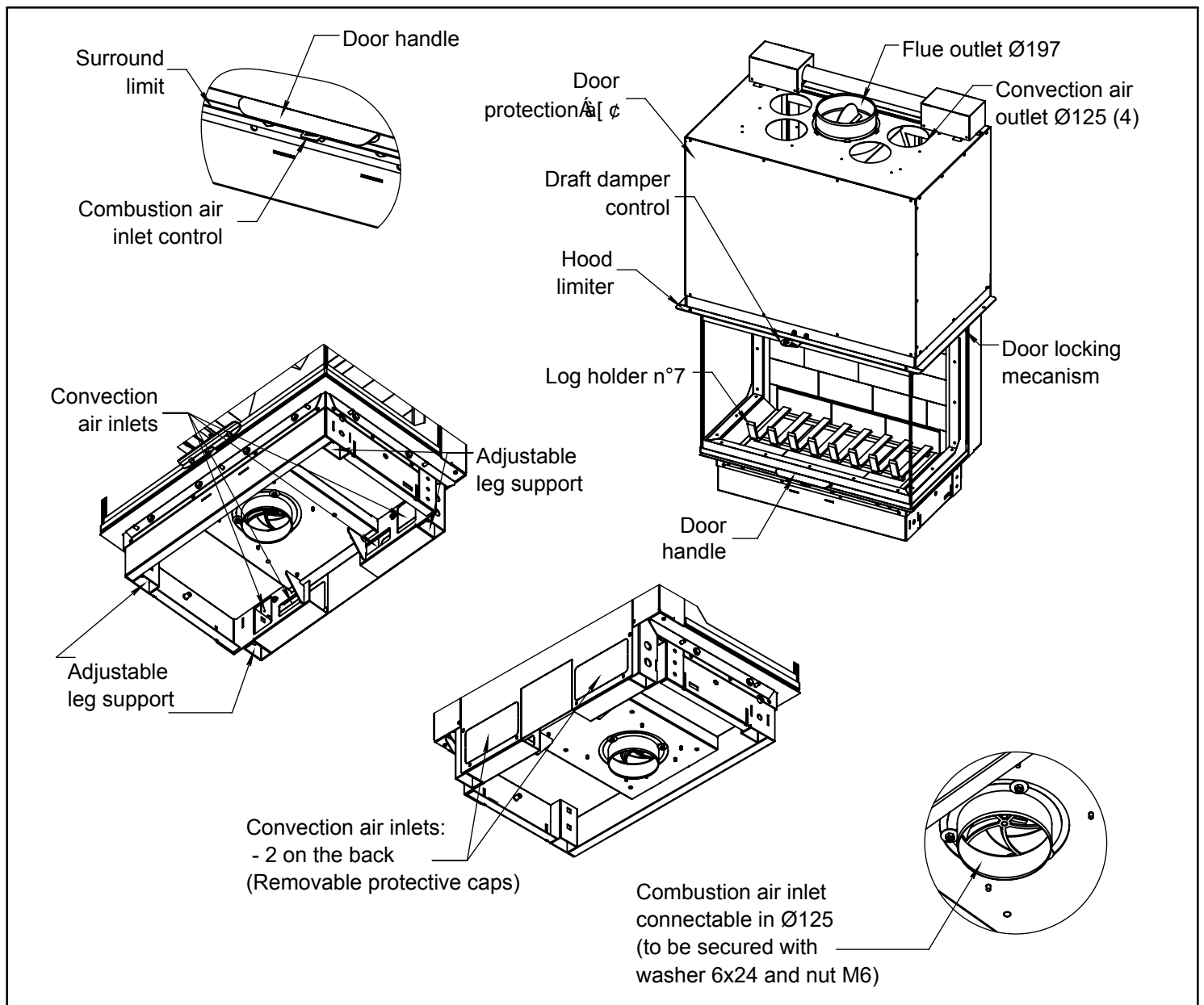
- Requirement for external fresh air inlet
 Minimum of 120 cm² of air passage cross-section for the operation of the fireplace.
 Combustion air inlet connectable in Ø 125.
 Warning ! the Ø of the combustion air inlet duct must be provided to compensate for the pressure losses due to the air circuit.

- Internal convection air inlet
 Minimum of 460 cm² for the cross section area

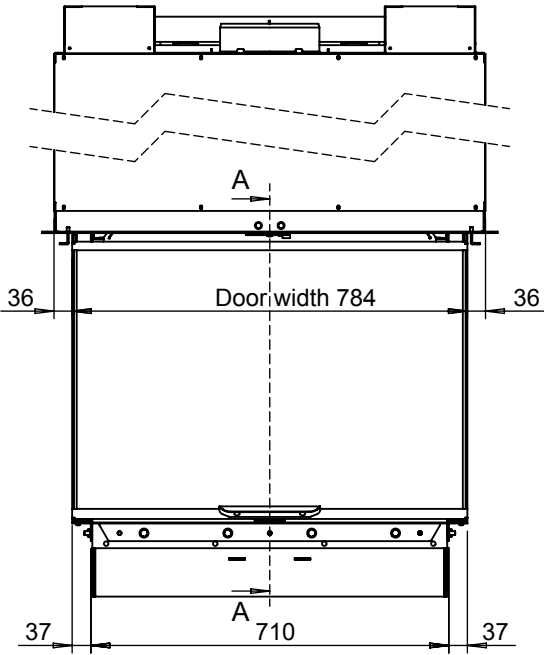
- Convection air outlet
 4 outlets Ø 125 male (cannot be blocked)
 Minimum of 500 cm² for the cross section area

$\varnothing \wedge \text{A} \text{a} \wedge \text{A} \text{S} \} \text{c} \wedge \& \text{c} \}$

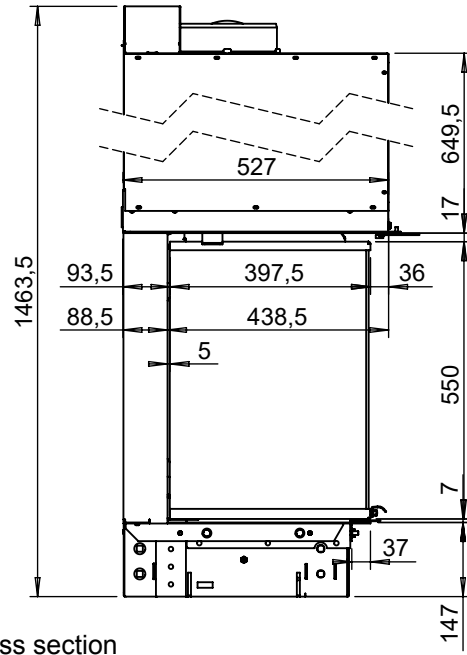
ØF97A æ (cannot be reduced)



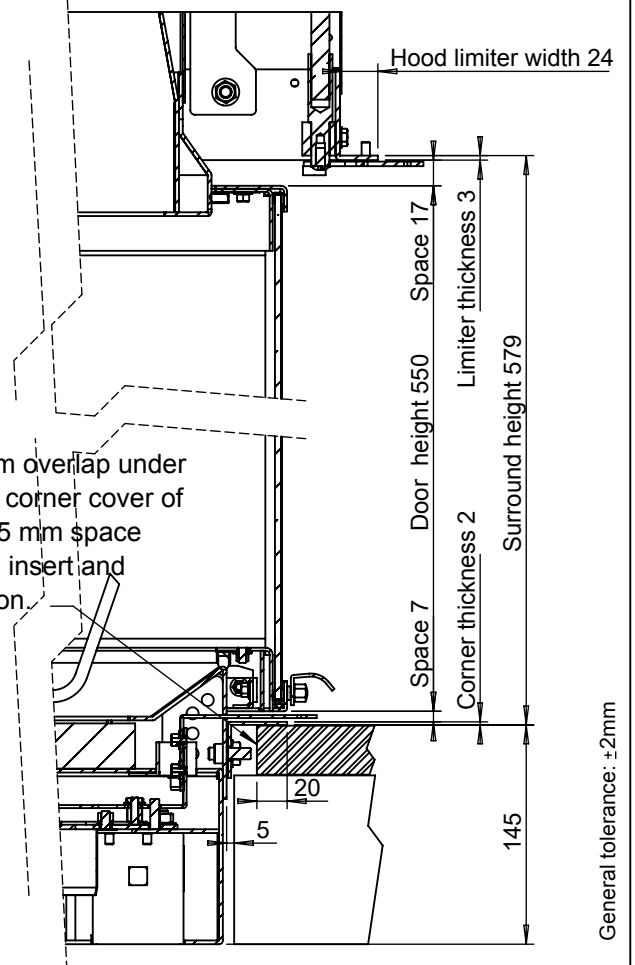
Face view



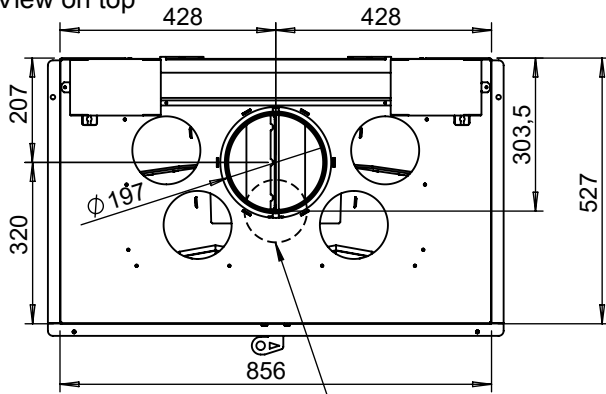
Side view



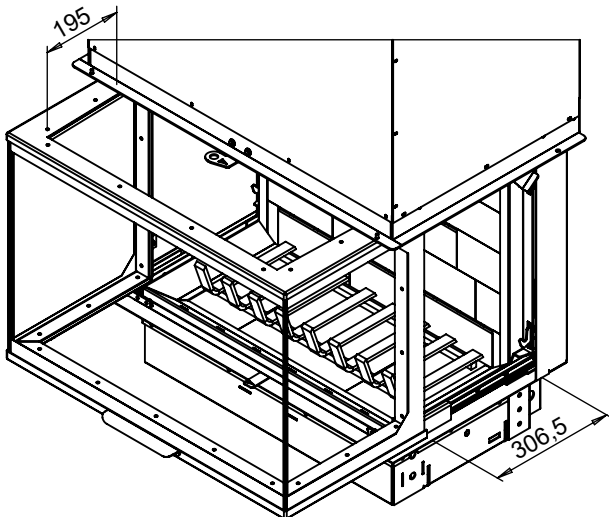
Vertical cross section
A-A (1 : 5)



View on top



Opening of sliding system - Combustion air inlet



General tolerance: ±2mm

According to standard: NF.EN 13 229

Notified body:

CTIF, 44 av. de la Division Leclerc
92318 Sèvres Cedex

Test report n°
TD 4847 / TD 4847P

Guy-Cédric Galéa, Directeur général
JØTUL France SAS
3, chemin du Jubin - 69570 Dardilly